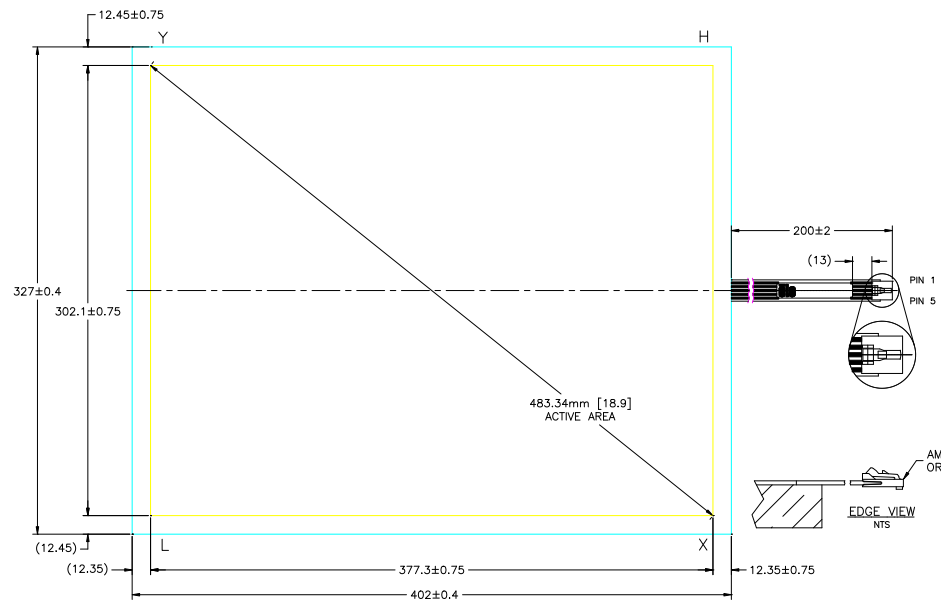


CONNECTOR PINOUT	
PIN NO.	DESIGNATION
1	Y
2	H
3	S
4	X
5	L

MS600794
THIS DRAWING IS A CONTROLLED DOCUMENT

USED ON: E633834



- NOTES:
1. FINISHED PART THICKNESS 3.48±.3mm.
 2. THE BORDER AREA OF THE SCREEN IS FLAT WITHIN ±.05mm.
 3. THE CABLE ATTACHMENT AREA IS SEALED.
 4. PIN OUT IS NOT ELO STANDARD AND MAY REQUIRE AN ADAPTER TO WORK WITH ELO CONTROLLER.
 5. RoHS COMPLIANT
 6. DISTANCE OF ELECTRODE PATTERN TO ACTIVE AREA ON FPC SIDE IS 3.26±0.95mm.
 7. FPC SEALANT DOES NOT REACH CLOSER TO THE ACTIVE AREA THAN THE ELECTRODE.
 8. SCREEN IS TRUE FLAT ENHANCED CROSSOVER DESIGN.

THIS DRAWING IS A CONTROLLED DOCUMENT
MS600794
ALL DIMENSIONS ARE IN MILLIMETERS UNLESS OTHERWISE SPECIFIED
UNLESS OTHERWISE SPECIFIED, DIMENSIONS ARE TO CENTER UNLESS OTHERWISE SPECIFIED
UNLESS OTHERWISE SPECIFIED, DIMENSIONS ARE TO CENTER UNLESS OTHERWISE SPECIFIED

LOC
OB
DIST
OB

C		E60-12-016936: CHANGED TO ACF	10/31/12	BC	LP	DIMENSIONS: mm		TOLERANCE VALUES		DATE		MATERIAL		HEAT TREAT	
B		TAPE P/N E215780				mm		0 P/C ± 1.00		6/1/09		ACCU TOUCH		N/A	
A		E60-11-001163: CHANGE DIMENSION BASED ON NEW DISA	02/14/11	NG		mm		1 P/C ± 0.76		02/14/11		N. GOMEZ		N/A	
A		NETEL RELEASE	06/10/09	N/NG		mm		2 P/C ± 0.38							
P		RELEASE PER E60-09-013860				mm		3 P/C ± 0.25							
P		RELEASE PER E60-09-013860				mm		4 P/C ± 0.20							
P		RELEASE PER E60-09-013860				mm		ANGLE: 0.5							
P		RELEASE PER E60-09-013860				mm		SURFACE TEXTURE: N/A							
P		RELEASE PER E60-09-013860				mm		SCALE: 1:1		A2		MS600794		SHEET 1 OF 1	

